

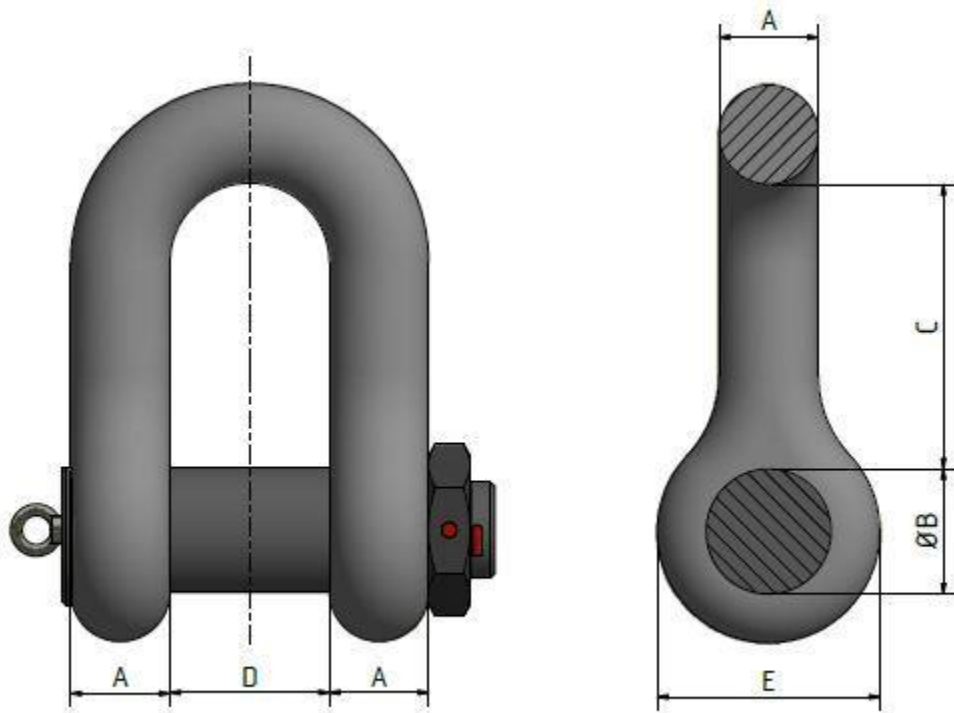
Shackles



Anchor Pile Shackle

Offshore accessory to be used for LTM Temporary and Mobile Mooring

Bow and Pin dimensions according to ISO 1704



chain dia.	A	B	C	D	E
d	1,4xd	1,8xd	4,1xd	2,3xd	3,2xd

Application: LTM for connection of enlarged link to pile pad eye

Manufactured & Tested: in Germany by Feubo

Material: Forged Steel – all grades R3 to R5

Features: Double secured nut for LTM application